

SLIDING POCKET DOOR SYSTEM (Surface Mount)

FD80DHCMP-PD

SLIDING & FOLDING
DOOR HARDWARE

SLIDING DOOR SYSTEM (DOOR WEIGHT 176 LBS)

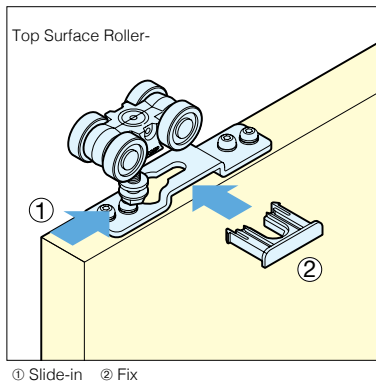


| | |
|-----------------------|---|
| Door Weight | Max. 176 lbs (80 kg) |
| Door Thickness (Min.) | 1-3/16" (30 mm) |
| Door Width | 30-7/8" ~ 59-1/16" (784-1500 mm) [98-7/16" (2500 mm) or less in height] 33-7/16" ~ 59-1/16" (850-1500 mm) [98 7/16" ~ 106-5/16 (2501-2700 mm) in height] |
| Door Height | Max. 106-5/16" (2700 mm) |

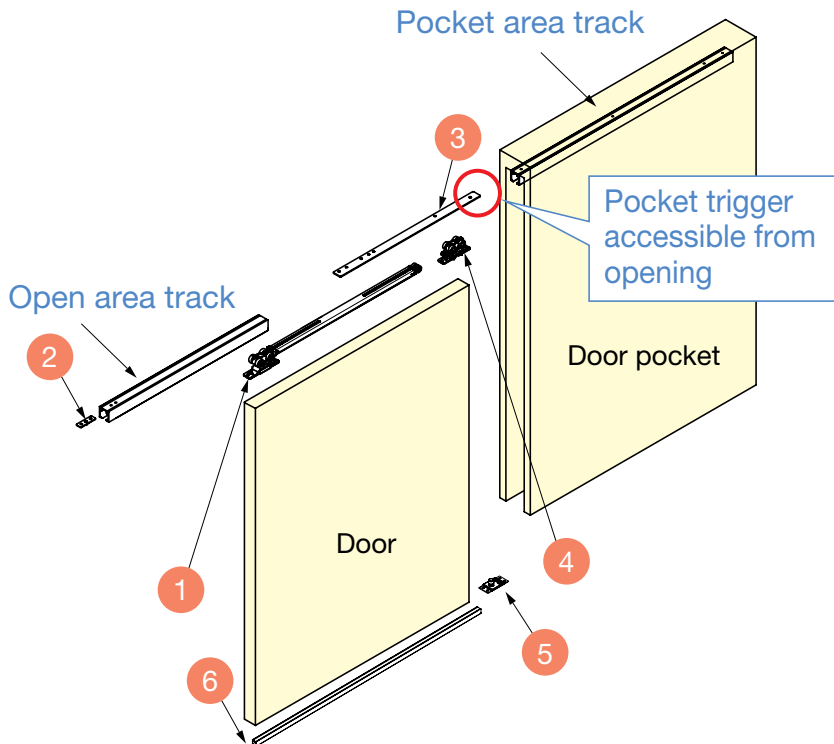
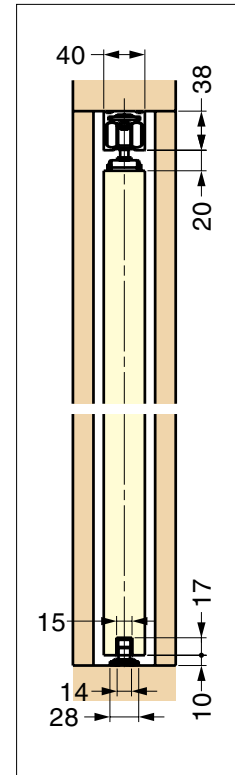
- Easy installation and maintenance
- Built in soft-close and soft-open damper.
- Two-rail system, allows all components to be fixed or adjusted through the opening without breaking the pocket (Sold Separately).
- Use with removable jam/trim/casing.
- For interior use only.
- Rollers are surface mounted to top of door.
- High durability, passed 200,000 cycle test (private).

NOTE: Pocket Door Retail Kit (FD80PD-SM2-RT) includes hardware and 2160 mm track.

Door Installation



Surface Track
Top Surface Roller



| Parts Set (Per Door) | | Necessary Parts |
|----------------------|--------------|---|
| Item Code | Item Name | Description |
| 250-029-722 | FD80DHCMP-PD | Surface Mount Roller Two-Way Soft Close |

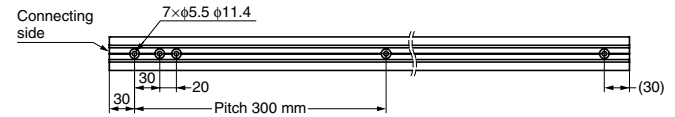
Parts Included

| No. | Qty | Part Name | Dimensions | Description |
|-----|------|---|------------|--|
| 1 | 1 pc | Surface Mount Roller Two-Way Soft Close | | Item Name: FD80-WRM-DSC Material: Steel / Polyacetal (POM) Finish: Chromate / Black Screw: Pan Head Tapping Screw 4x45 Remark: Do not use the included trigger. |
| 2 | 1 pc | Front Trigger | | Item Name: FD80-TRGPF Material: Stainless Steel (SUS304) Finish: Plain |
| 3 | 1 pc | Pocket Trigger | | Item Name: FD80-TRGPB-MB Material: Stainless Steel (SUS304) Finish: Plain |
| 4 | 1 pc | Surface Mount Roller | | Item Name: FD80-WRM Material: Zinc Alloy (ZDC) / Polyacetal (POM) Finish: Nickel / Natural Screw: Pan Head Tapping Screw 4x45 |
| 5 | 1 pc | Floor Guide | | Item Name: FD50-BGR18 Material: Stainless Steel (SUS430) / Polyacetal (POM) Finish: Countersunk / Natural Screw: Pan Head Tapping Screw 4x45 |
| 6 | 1 pc | Bottom Guide Rail (1500 mm) | | Item Name: FD30-HBRT1500SIL Material: Aluminium Alloy Finish: Anodized Silver |

| Upper Track | | Necessary Parts | | | |
|-------------|---------|-----------------|-------------|------------|--|
| No. | Length | Item Code | Part Name | Dimensions | Desc. |
| 7 | 1260 mm | FD80-TRP1260-SL | Upper Track | | Material: Aluminium Alloy Finish: Anodized Silver |
| 8 | 2160 mm | FD80-TRP2160-SL | | | |
| 9 | 2760 mm | FD80-TRP2760-SL | | | |
| 10 | 3960 mm | FD80-TRP3960-SL | | | |

Hole Dimensions of Upper Track

In case of 1260 mm



In case of 2160 mm, 2760 mm & 3960 mm

